

Vegetable Slicer

TRK55 Cutter Slicer - 5.5 QT - Variable Speed

ITEM # _____

MODEL # _____

NAME # _____

SIS # _____

AIA # _____



Main Features

- 3 in 1 machine: cutter, emulsifier and vegetable slicer to slice, grate, liquidise, mix and mince in a matter of seconds.
- Incl system to incline motor base at 20° to better fit the vegetable slicer attachment.
- Vegetable slicer unit has slicing, grating, shredding (julienne) as well as dicing and french fries capabilities.
- Long vegetables round hopper integrated in the feed arm, 3/4 moon roundish hopper to limit pre-cutting operations.
- Emulsifier function (scraper) included as standard.
- Base fixed cover for a better handling.
- Pulse function to coarse chopping.
- All parts in contact with food are removable without the use of tools, completely dismountable and dishwasher safe.
- Automatic restart of the machine with the 3/4 moon shaped pusher in position.
- Magnetic safety system and motor brake. Prevents machine from running when vegetable preparation lever and/or hopper are lifted or when cutter lid is not properly closed.
- Automatic speed limitation according to the selected function (slicer or cutter).
- Complete and wide selection of blades and grids available, Diameter of blades and grids are 8" (205mm).
- Delivered with: 5.8qt (5,5lt) stainless steel cutter bowl, transparent lid, scraper and microtoothed blade rotor.

Construction

- Stainless steel bowl has a high chimney to ensure high productivity also when processing liquids (75% of the nominal capacity).
- Vegetable cutting at 4 speeds up to 800 rpm. Food precessing at 10 variable speeds: 300-3700 rpm.
- Compact and portable design.
- Improved ventilation system to manage smoothly heavy duty use.
- Improved incl system for better stability.
- Improved fixing of long vegetable hopper pusher.
- TRK55 - 1 kW.

Included Accessories

- 1 of Lid & bowl scraper, 5.8 quart, PNC 650102 for cutter/mixer
- 1 of Bowl, 5.8 quart, for cutter/ PNC 653590 mixer, stainless steel
- 1 of TRS & TRK ejector plate PNC 653772

Optional Accessories

- Julienne Disc 5/32" (4mm) PNC 650077
- Julienne Disc 1/4" (6mm) PNC 650078
- Julienne Disc 5/16" (8mm) PNC 650079

APPROVAL: _____



- Julienne Disc 3/8" (10mm) PNC 650080
- Slicing Disc 0.6mm (can be combined with Dicing Grids (MT) and Grids for Chips (FT)) PNC 650081
- Slicing Disc 1/32" (1mm) (can be combined with Dicing Grids (MT) and Grids for Chips (FT)) PNC 650082
- Slicing Disc 5/64" (2mm) (can be combined with Dicing Grids (MT) and Grids for Chips (FT)) PNC 650083
- Slicing Disc 1/8" (3mm) (can be combined with Dicing Grids (MT) and Grids for Chips (FT)) PNC 650084
- Slicing Disc 5/32" (4mm) (can be combined with Dicing Grids (MT) and Grids for Chips (FT)) PNC 650085
- Slicing Disc 3/16" (5mm) (can be combined with Dicing Grids (MT) and Grids for Chips (FT)) PNC 650086
- Slicing Disc 1/4" (6mm) (can be combined with Dicing Grids (MT) and Grids for Chips (FT)) PNC 650087
- Slicing Disc 5/16" (8mm) (can be combined with Dicing Grids (MT) and Grids for Chips (FT)) PNC 650088
- Wavy Slicing Disc 5/64" (2mm) (can be combined with Dicing Grids (MT) and Grids for Chips (FT)) PNC 650089
- Wavy Slicing Disc 1/8" (3mm) (can be combined with Dicing Grids (MT) and Grids for Chips (FT)) PNC 650090
- Wavy Slicing Disc 1/4" (6mm) (can be combined with Dicing Grids (MT) and Grids for Chips (FT)) PNC 650091
- Bistrot Pack, Stainless Steel Disc Set containing one each of: C2S 5/64" (2mm) slicing disc, C5S 3/16" (5mm) slicing disc, J2X 5/64" (2mm) grating disc PNC 650092
- Gastronomy Pack, Stainless Steel Disc Set containing one each of: C2S 5/64" (2mm) slicing disc, C5S 3/16" (5mm) slicing disc, J2X 5/64" (2mm) grating disc, AS4X 5/32" x5/32" (4x4mm) shredding disc, C10PS 3/8" (10mm) presser/slicer, MT10T 3/8"x3/8" (10x10mm) dicing grid PNC 650093
- Lid & bowl scraper, 5.8 quart, for cutter/mixer PNC 650102
- EMULSIFYING KIT FOR K55 VARIABLE SPEED, INCLUDING 5.5QT SS BOWL, SMOOTH EMULSION BLADE, LID, SCRAPER PNC 650103
- DISC SET PIZZA (C2SX, C4SX, J7X) PNC 650107
- Cleaning tool for TRS, TRK & TR210 3/16"-5/16"-3/8" (5-8-10 mm) dicing grids PNC 650110
- Julienne Disc 5/64" x 5/16" (2 x 8mm) PNC 650158
- Julienne Disc 5/64" x 3/8" (2 x 10mm) PNC 650159
- Slicing Disc 3/8" (10mm) (can be combined with Dicing Grids (MT) and Grids for Chips (FT)) PNC 650160
- Slicing Disc 15/32" (12mm) (can be combined with Dicing Grids (MT) and Grids for Chips (FT)) PNC 650161
- Wavy Slicing Disc 5/16" (8mm) (can be combined with Dicing Grids (MT) and Grids for Chips (FT)) PNC 650162
- Wavy Slicing Disc 3/8" (10mm) (can be combined with Dicing Grids (MT) and Grids for Chips (FT)) PNC 650164
- Slicing Disc 33/64" (13mm) (can be combined with Dicing Grids (MT) and Grids for Chips (FT)) PNC 650165
- Julienne Disc 5/64" (2mm) PNC 650166
- Julienne Disc 1/8" (3mm) PNC 650167
- Set of 4 Stainless Steel Discs containing one each of: C2S 5/64" (2mm) slicing disc, C5S 3/16" (5mm) slicing disc, J2X 5/64" (2mm) grating disc and J7X 9/32" (7mm) grating disc PNC 650178
- Set of 7 Stainless Steel Discs containing one each of: C2S 5/64" (2mm) slicing disc, C5S 3/16" (5mm) slicing disc, J2X 5/64" (2mm), J7X 9/32" (7mm) grating disc, AS4X 5/32"x5/32" (4x4mm) shredding disc, C10PSB 3/8" (10mm) presser/slicer, MT10T 3/8"x3/8" (10x10mm) dicing grid PNC 650179
- Stainless steel work table assembly. PNC 653283
- Dicing Grid 3/16" x 3/16" (5 x 5mm) (can be combined with Slicing Discs [C] and Wavy Slicing Discs (CW)) PNC 653566
- Dicing Grid 5/16" x 5/16" (8 x 8mm) (can be combined with Slicing Discs [C] and Wavy Slicing Discs (CW)) PNC 653567
- Dicing Grid 3/8" x 3/8" (10 x 10mm) (can be combined with Slicing Discs [C] and Wavy Slicing Discs (CW)) PNC 653568
- Dicing Grid 15/32" x 15/32" (12 x 12mm) (can be combined with Slicing Discs [C] and Wavy Slicing Discs (CW)) PNC 653569
- Dicing Grid 25/32" x 25/32" (20 x 20mm) (can be combined with Slicing Discs [C] and Wavy Slicing Discs (CW)) PNC 653570
- Grid for Chips 1/4" (6mm) (can be combined with Slicing Discs [C] and Wavy Slicing Discs (CW)) PNC 653571
- Grid for Chips 5/16" (8mm) (can be combined with Slicing Discs [C] and Wavy Slicing Discs (CW)) PNC 653572

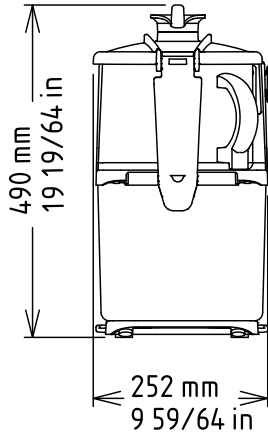


Electrolux
PROFESSIONAL

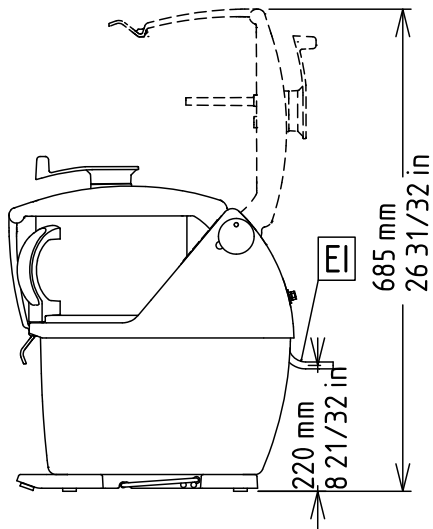
**Vegetable Slicer
TRK55 Cutter Slicer - 5.5 QT -
Variable Speed**

- Grid for Chips 3/8" (10mm) (can be combined with Slicing Discs [C] and Wavy Slicing Discs (CW)) PNC 653573
- Bowl, 5.8 quart, for cutter/mixer, stainless steel PNC 653590
- TRS & TRK ejector plate PNC 653772
- Grating Disc 5/64" (2mm) PNC 653773
- Grating Disc 1/8" (3mm) PNC 653774
- Grating Disc 5/32" (4mm) PNC 653775
- Grating Disc 9/32" (7mm) PNC 653776
- Grating Disc 11/32" (9mm) PNC 653777
- Grating Disc for breadcrumbs/potatoes PNC 653778
- Grating Disc for parmesan/chocolate PNC 653779

Front

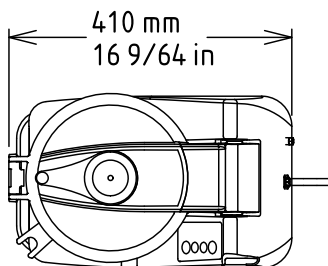


Side



EI = Electrical connection

Top


Electric

Supply voltage:	110-120 V/1N ph/60 Hz
Total Watts:	1.3 kW
Plug type:	USA NEMA 5-15P

Key Information:

External dimensions, Width:	9 15/16" (252 mm)
External dimensions, Depth:	19 1/16" (485 mm)
External dimensions, Height:	19 7/8" (505 mm)
Shipping width:	13" (330 mm)
Shipping depth:	32 1/4" (820 mm)
Shipping height:	23 5/8" (600 mm)
Shipping weight:	71 lbs (32 kg)